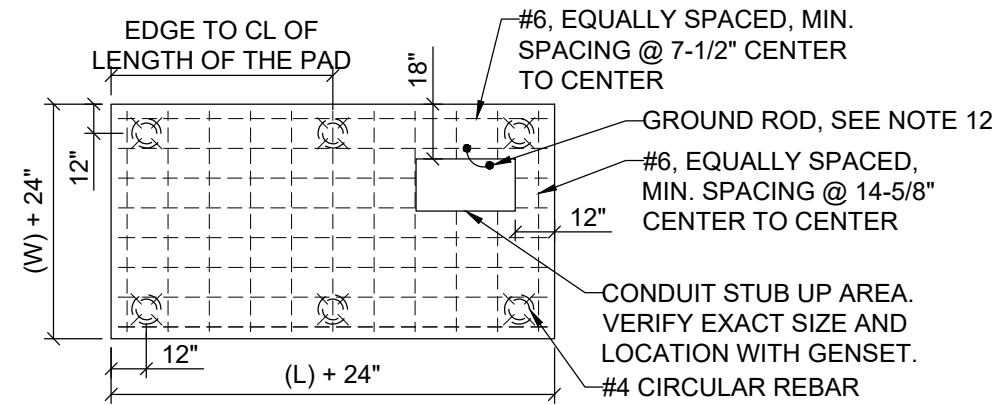
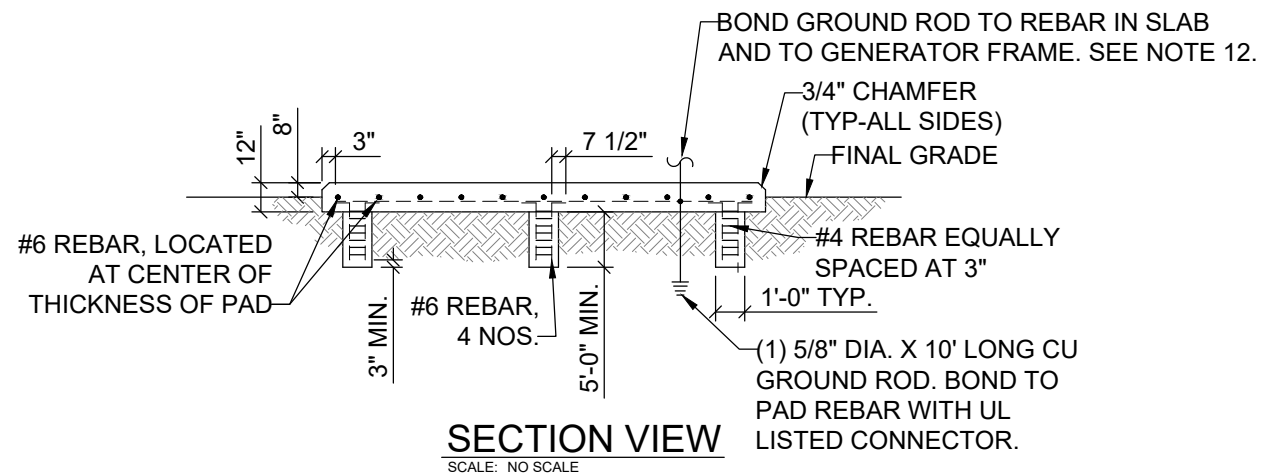


**NOTE:**

L: LENGTH OF GENERATOR (LONGEST SIDE)  
 W: WIDTH OF THE GENERATOR (SHORTEST SIDE)



**PLAN VIEW**  
 SCALE: NO SCALE



**SECTION VIEW**  
 SCALE: NO SCALE

**1 GENERATOR PAD DETAIL**  
 E1.01 SCALE: NO SCALE

**GENERATOR PAD GENERAL NOTES**

1. THE TOP 12" OF SUBGRADE BENEATH THE SLAB SHALL BE THOROUGHLY COMPACTED TO 90% OF MAXIMUM DENSITY PER ASTM D698. IF TOP 36" OF SUBGRADE IS SUBJECT TO HIGH WATER TABLE OR PERIODIC SATURATION, COMPACT SUBGRADE TO 90% PER ASTM D2039 AND D1556. NO FROZEN BACKFILL SHALL BE USED.
2. SLAB TO BE MADE OF FIBER REINFORCED POLYMER (FRP) CONCRETE WITH MINIMUM 28 DAY STRENGTH OF 3,500 PSI WITH 2 INCH LENGTH OF MONOFILAMENT MACROSYNTHETIC FIBERS AT APPROXIMATELY 4 LB/YD<sup>3</sup> DOSAGE. ADD AIR-ENTRAINING ADMIXTURE CONFORMING TO ASTM C260/C260M.
3. TOP OF PAD TO BE SMOOTH, LEVEL AND CLEARED OF ALL FRAMING MATERIAL AFTER CONCRETE SETS.
4. NO WALLS SHALL BE BUILT AROUND GENERATOR, NOR CANOPIES ABOVE GENERATOR.
5. ALL CONDUIT ENTERING SLAB TO BE VERTICAL AND AT A 90° ANGLE WITH TOP OF SLAB. STUB ALL CONDUITS 1" ABOVE TOP OF CONCRETE PAD. PROVIDE ALL SPARE CONDUITS WITH PULLSTRINGS AND PLASTIC CAPS.
6. COORDINATE WITH UNL UTILITIES TO ALLOW ANY AND ALL INSPECTIONS BEFORE, DURING AND AFTER CONSTRUCTION OF PAD.
7. PROPER REBAR SPACERS SHOULD BE USED TO KEEP THE REBAR AT PLACE. USE OF CONCRETE BRICKS AS SUBSTITUTE OF SPACERS IS NOT PERMITTED.
8. ALL REBAR SHOULD AT LEAST HAVE 3" COVER FROM THE SIDES OTHERWISE NOTED.
9. REVIEW GENERATOR INSTALLATION INSTRUCTIONS BEFORE FORMING THE CONDUIT STUB UP AREA. PROVIDE AREA PER MANUFACTURER REQUIREMENTS.
10. PILES OR RE-BAR DETAILS CAN NOT BE ALTERED WITHOUT WRITTEN CONSENT FROM A CIVIL ENGINEER.
11. A 48 HOUR INSPECTION NOTICE SHALL BE GIVEN BEFORE SCHEDULED POUR WHICH INCLUDES EMAILING THE UNIVERSITY INSPECTOR, ELECTRICAL ENGINEER, AND CIVIL ENGINEER.
12. BOND GROUNDING ROD TO REBAR IN SLAB AND TO GENERATOR FRAME. STUB ROD UP 6" ABOVE TOP OF CONCRETE PAD. SIZE BOND PER NEC 250-66 REQUIREMENTS BASED ON PHASE CONDUCTOR SIZE. PROVIDE BRAIDED, BARE CU BOND CABLE FROM GROUND BAR TO PAD REINFORCING AND TO FRAME. LEAVE SUFFICIENT LACK ABOVE PAD TO TIE TO GENSET FRAME, MINIMUM OF 24" COIL.