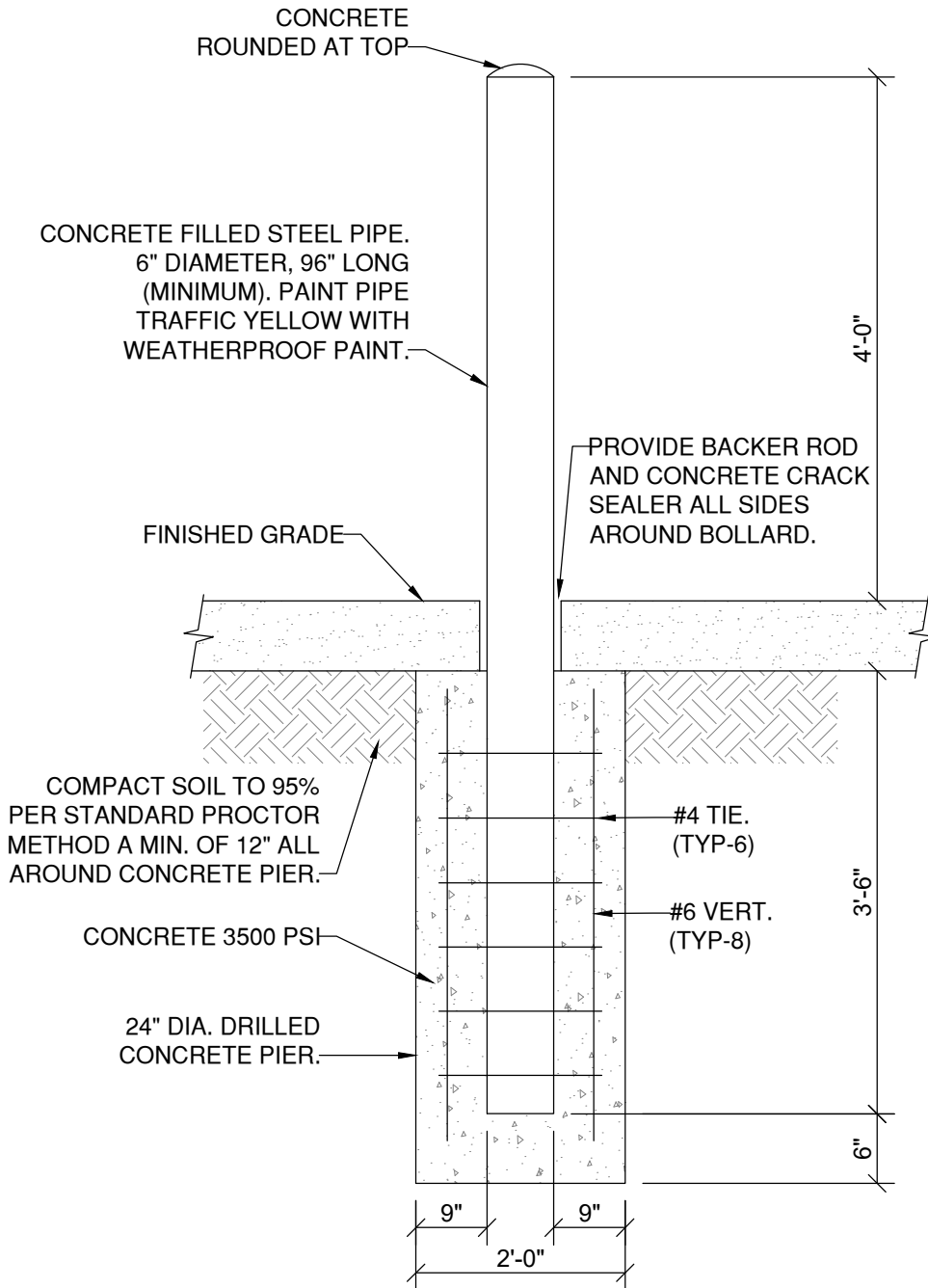


REBAR SECTION DETAIL

SCALE: NO SCALE



1 CONCRETE BOLLARD DETAIL

E1.01 SCALE: NO SCALE

<p>Detail Title:</p> <p>Concrete Bollard Detail</p>	<p>Detail No.: 33 70 00 - 02</p> <p>Scale: N.T.S.</p> <p>Date: October 2020</p>	<p>Facilities Planning & Construction Standard Detail</p>	
---	---	---	--