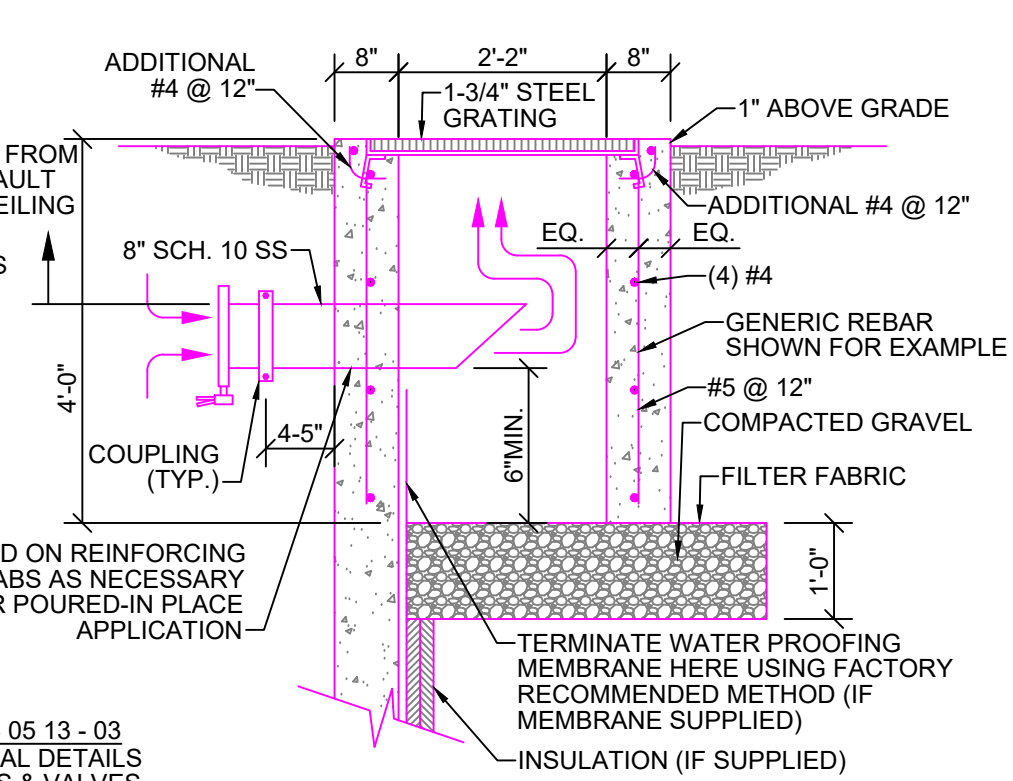
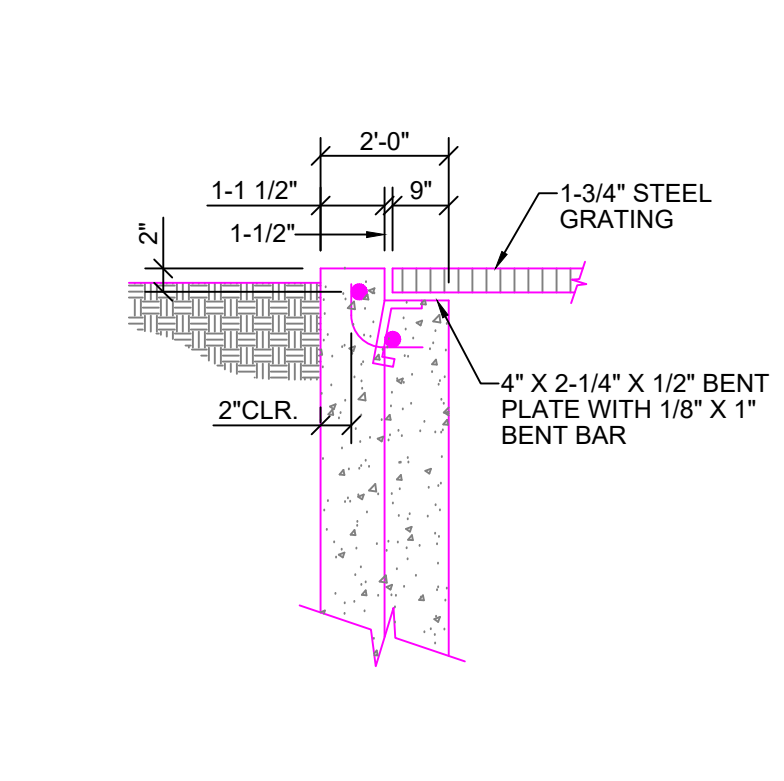


1 SECTION: LOW VENT
SCALE: 1/2"=1'-0"

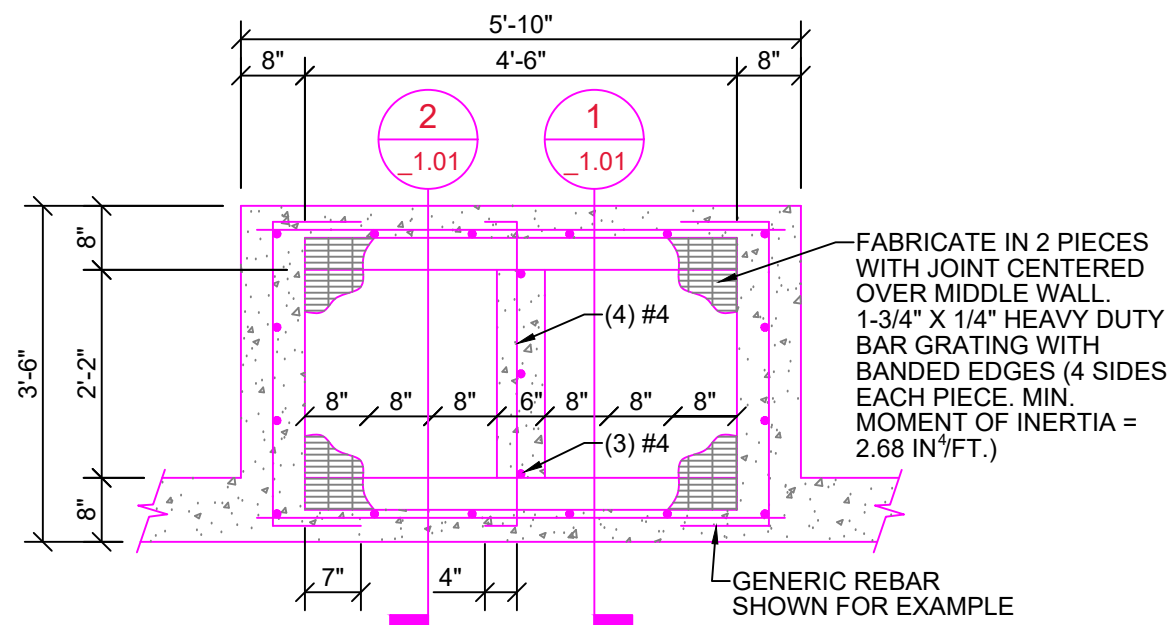


2 SECTION: HIGH VENT
SCALE: 1/2"=1'-0"



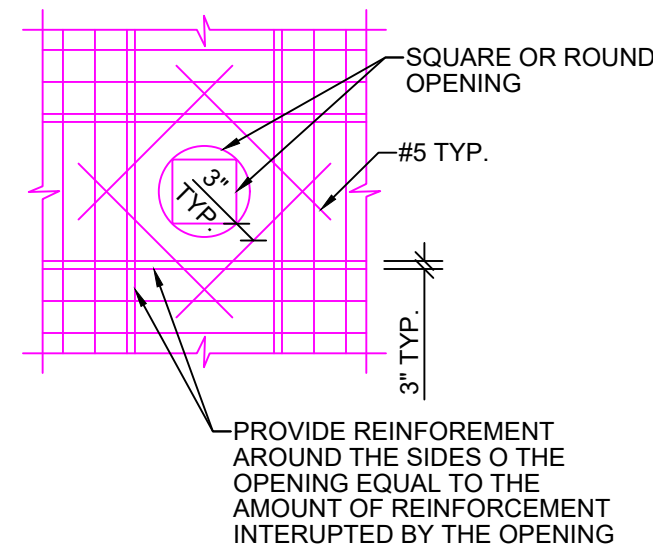
3 DETAIL @ TOP OF WALL
SCALE: NO SCALE

NOTE: SEE DETAIL 33 05 13 - 03 FOR ADDITIONAL DETAILS ON COUPLINGS & VALVES

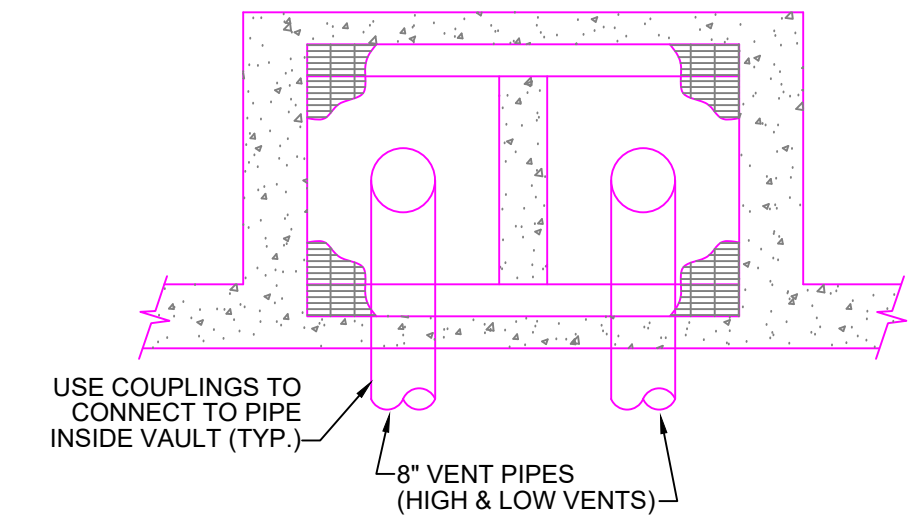


NOTE: CONCRETE & GRATING COLOR TO BE DETERMINED BY OWNER.

PLAN VIEW



TYPICAL REINFORCEMENT DETAIL AT PIPE OPENINGS



TYPICAL PLAN VIEW

1 VENT COFFER DETAILS
SCALE: 1/2"=1'-0"