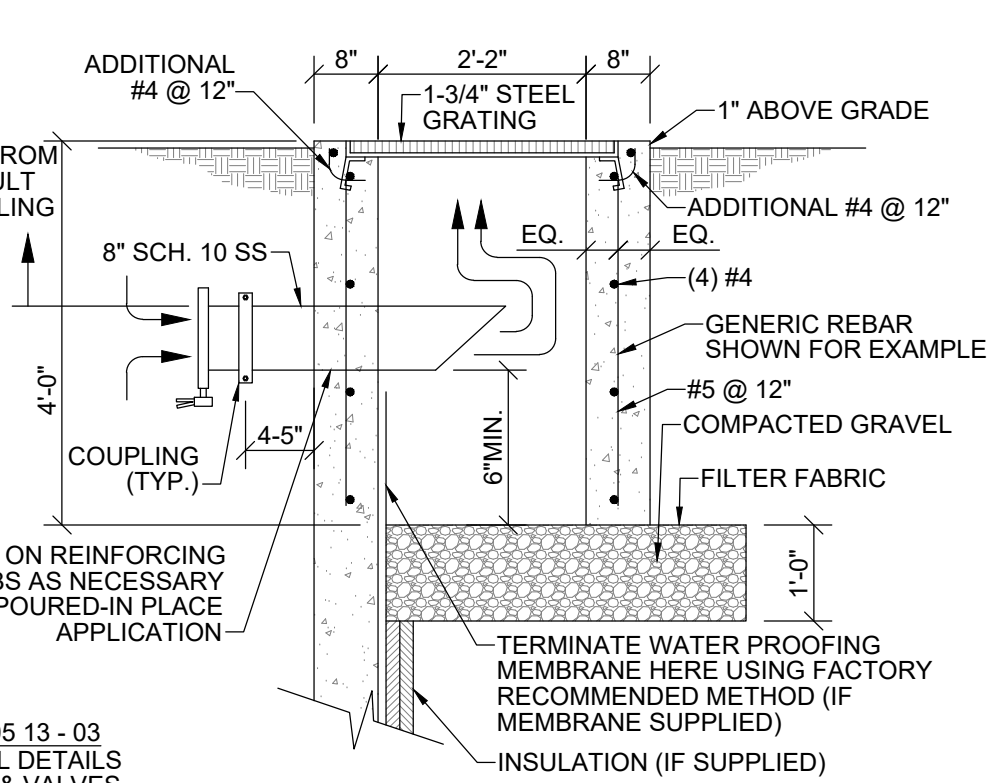
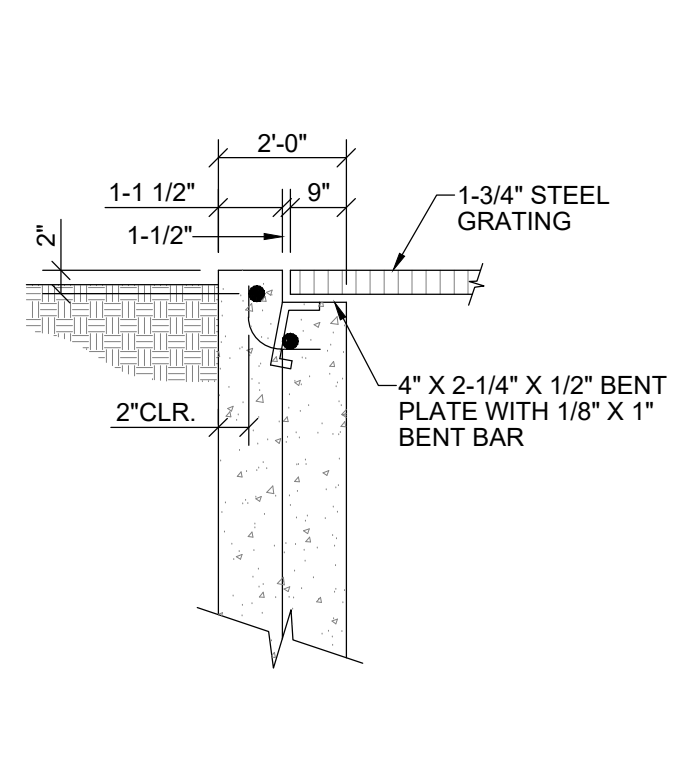


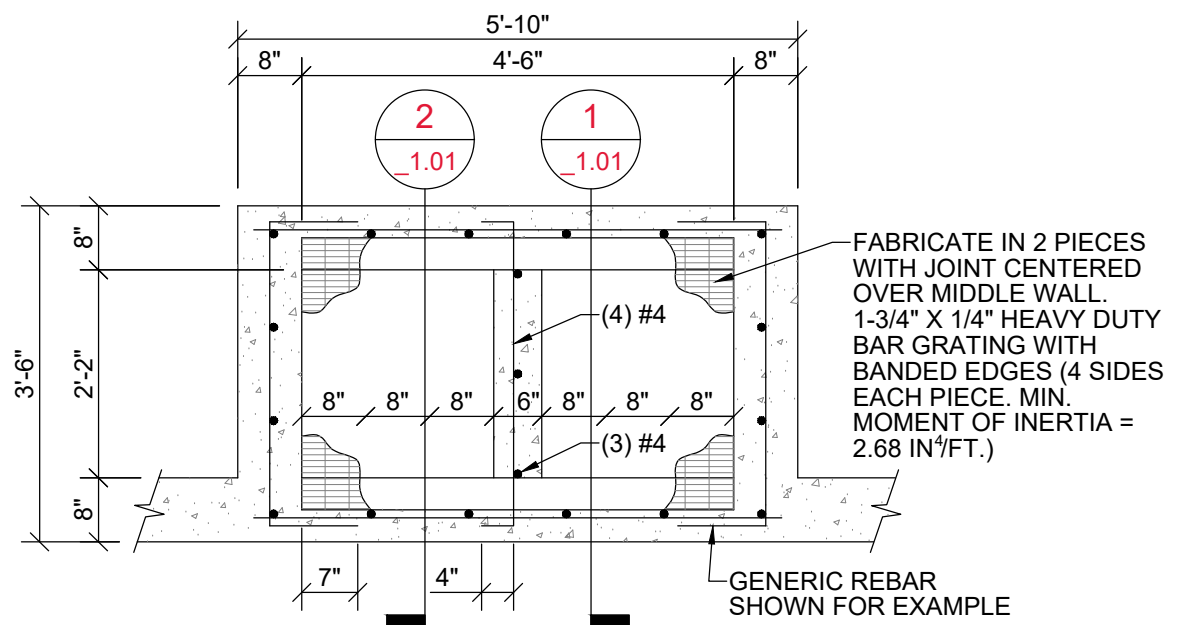
1 SECTION: LOW VENT
1.01 SCALE: 1/2"=1'-0"



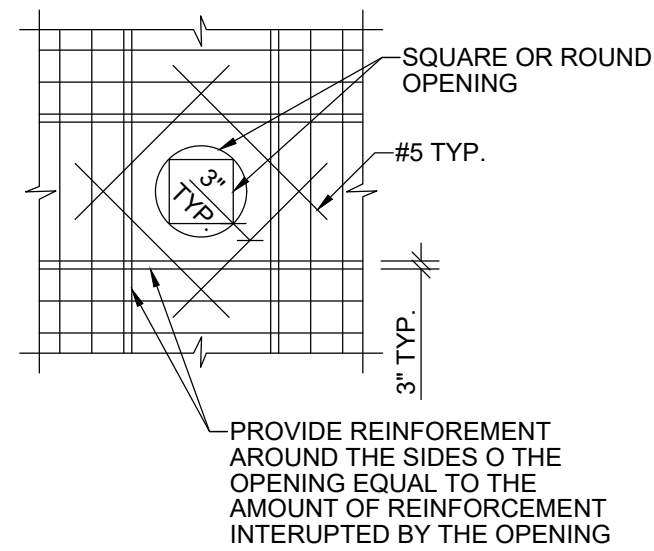
2 SECTION: HIGH VENT
1.01 SCALE: 1/2"=1'-0"



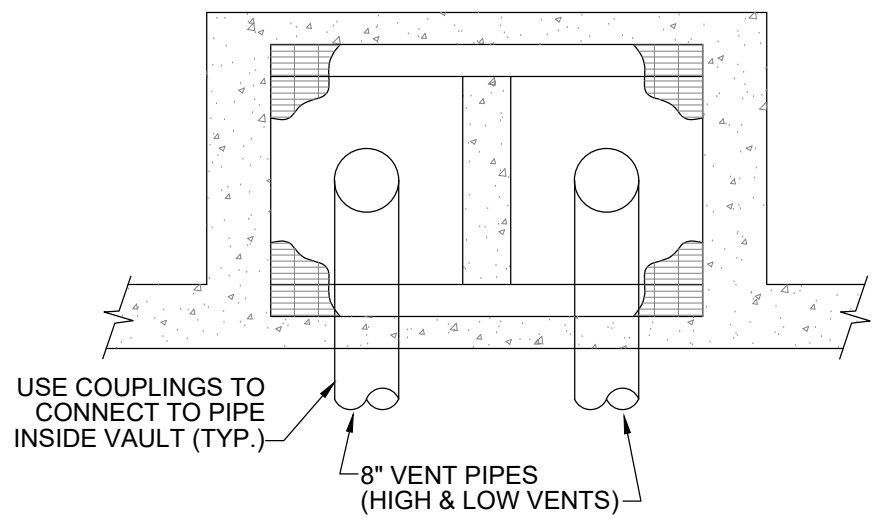
3 DETAIL @ TOP OF WALL
1.01 SCALE: NO SCALE



PLAN VIEW



**TYPICAL REINFORCEMENT
DETAIL AT PIPE OPENINGS**



TYPICAL PLAN VIEW

1 VENT COFFER DETAILS
1.01 SCALE: 1/2"=1'-0"