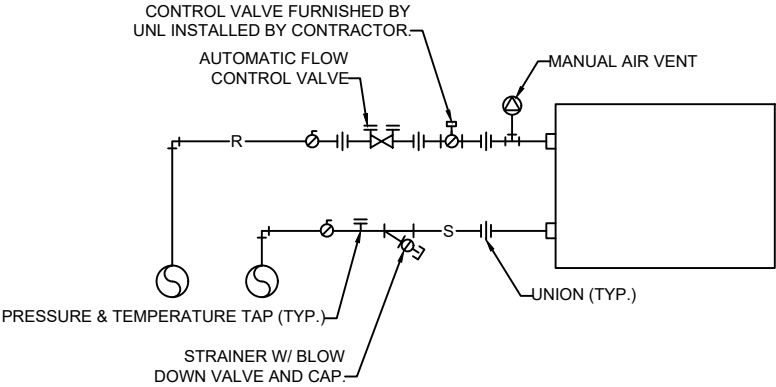



NOTE:
 1. THIS DETAIL TO BE USED FOR:
 -AIR TERMINAL UNITS
 -UNIT HEATERS
 -CABINET UNIT HEATERS
 -FAN COIL UNITS



TERMINAL HEATING UNIT HYDRONIC COIL PIPING SCHEMATIC

1
 A1.01

SCALE: NO SCALE

<p>Detail Title: TERMINAL HEATING UNIT HYDRONIC COIL PIPING SCHEMATIC</p>	<p>Detail No.: 23 21 00 - 03 Scale: N.T.S. Date: October 2020</p>	<p>Facilities Planning & Construction Standard Detail</p>	
---	---	--	---