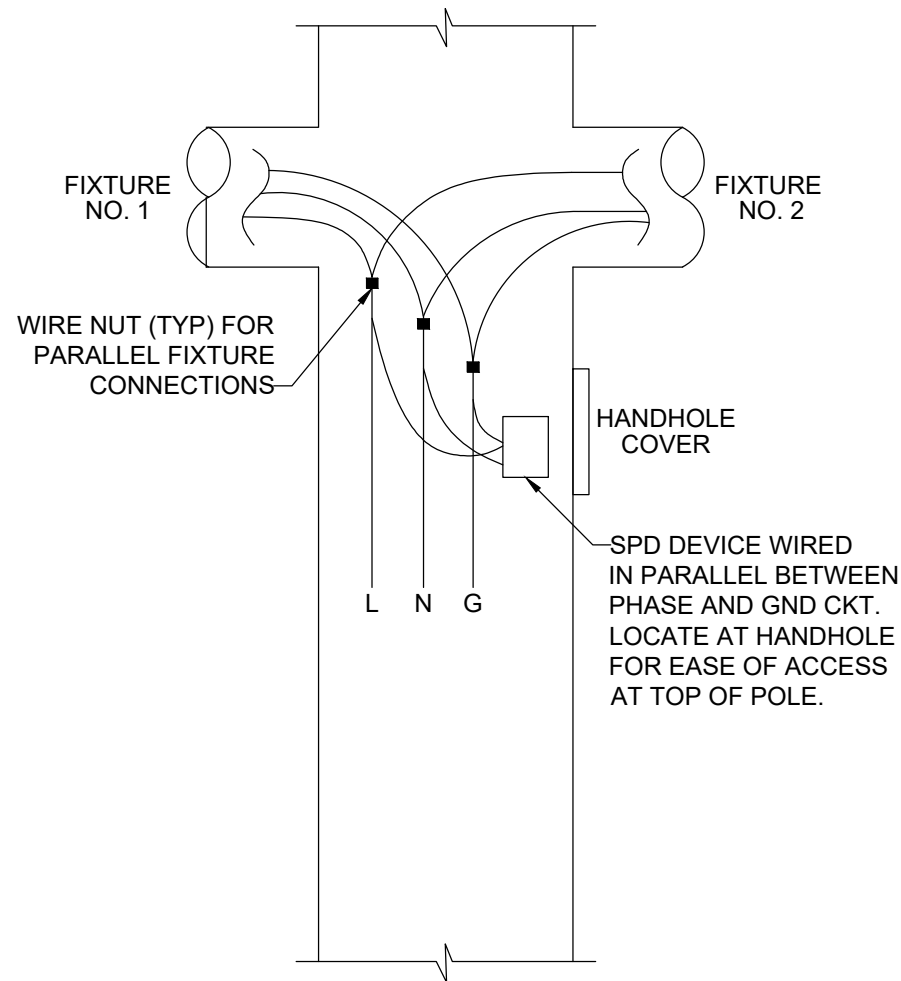


### LIGHT POLE FUSE HOLDER AND SPD WIRING DIAGRAM

1  
E1.01 SCALE: NO SCALE



### 2 SPD ENLARGED DETAIL

E1.01 SCALE: NO SCALE

#### GENERAL NOTES

- KEEP WIRES AS STRAIGHT AND SHORT AS POSSIBLE
- ROUND WIRES RATHER THAN BENDING AT A HARD 90 DEGREE ANGLE.
- DO NOT CROSS OR OVERLAP PROTECTED WIRES (THOSE AFTER THE SPD, EITHER AC OR DC WIRES).
- ONLY ONE EXTERNAL SPD REQUIRED PER POLE, REGARDLESS OF THE NUMBER OF FIXTURE HEADS ON THE POLE.
- SEE DETAILS 26 56 00 01-04 FOR ADDITIONAL LIGHT POLE AND POLE BASE REQUIREMENTS.

#### # KEY NOTES

- LED FIXTURE WITH FUSED DRIVER AND INTERNAL SPD.
- CIRCUIT EXTERNAL LED FIXTURE SPD AS SHOWN. MAKE PARALLEL CONNECTION INTO CIRCUIT. SEE ENLARGED DETAIL, THIS SHEET. SIZE CONDUCTORS TO SPD MATCHED TO CIRCUIT CONDUCTOR SIZES. PROVIDE WITH END OF LIFE (EOL) LED INDICATOR. SPD SHALL BE LITTLEFUSE LSP10GI SERIES OR EQUAL. INSTALL DEVICE SO EOL LED FACES TOWARDS HANDHOLE.
- CO-LOCATE EXTERNAL SPD WITHIN LIGHT FIXTURE HOUSING IF ACCEPTABLE TO FIXTURE MANUFACTURER. OTHERWISE INSTALL WITHIN POLE IMMEDIATELY ADJACENT TO FIXTURE MOUNTING LOCATION AS SHOWN ON DETAIL.
- FINGER SAFE FUSE HOLDER AT BASE OF LIGHT POLE ACCESSIBLE FROM BASE HANDHOLE. SEC CONNECTOR COMPANY 1791 SERIES OR EQUAL. PROVIDE WITH CLASS CC FAST ACTING FUSE SIZED PER SELECTED FIXTURE LOAD REQUIREMENT.
- SOURCE PANEL PER PLANS.