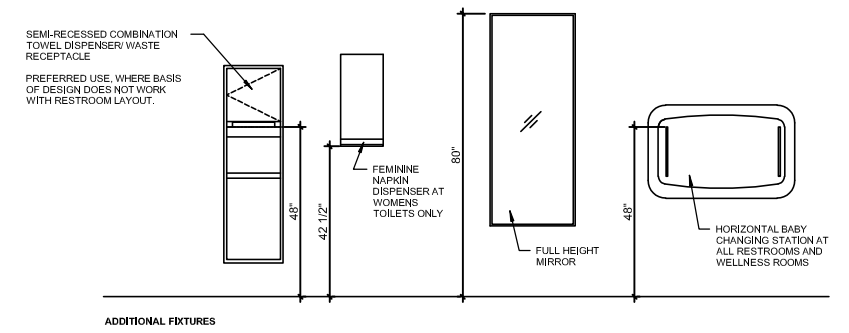
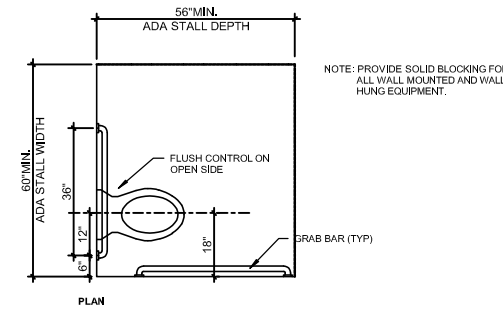
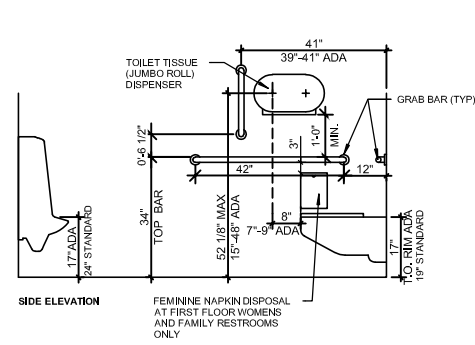
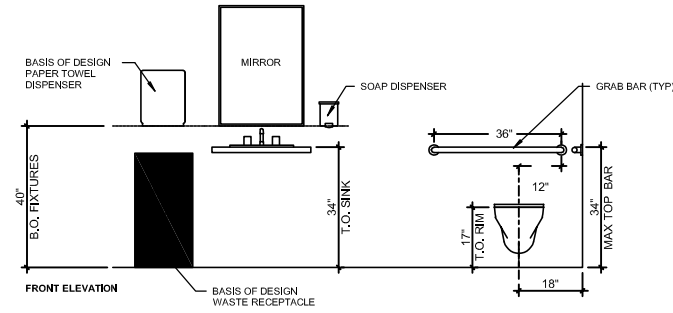


UNK RESTROOM STANDARDS



GENERAL NOTES:
 PROVIDE SOLID BLOCKING FOR ALL WALL MOUNTED AND WALL HUNG EQUIPMENT.

EQUIPMENT/ACCESSORIES NOTES:
 PAPER TOWEL DISPENSER - REND5173-WB RENOWN 8- APPROXIMATELY 13" W x 16" H.
 SOAP DISPENSER - IMP9325-90 FOAM EZZE - APPROXIMATELY 5" W x 10" H.
 TOILET PAPER DISPENSER - RENO 5150-16 RENOWN JR - APPROXIMATELY 20" W x 10" H.

MULTI-USER RESTROOM EXAMPLES



FAMILY RESTROOM EXAMPLE



WELLNESS ROOM EXAMPLE

